

Mounting instructions

D36: Auxiliary microswitch with adjustable cam (SPDT 10(3)A/250 V~)

- Remove the cover on the knob side.
- Mount the auxiliary micro switch **9** with the relevant protection **10** onto the two small columns placed under the manual control knob and fixing it using the screws **11** (see Fig. 1).
- Mount pressing the cam **12** onto the main shaft extremity
- Adjust the cam so that the micro operates in the required position. Keep in mind that, when the micro switch lever is positioned on the protruding sector of the cam, the contact between B and C is closed while between C and A is open.
- Perform the electrical connections according to existing rules, making sure that the cables do not interfere with the cam during normal operation.

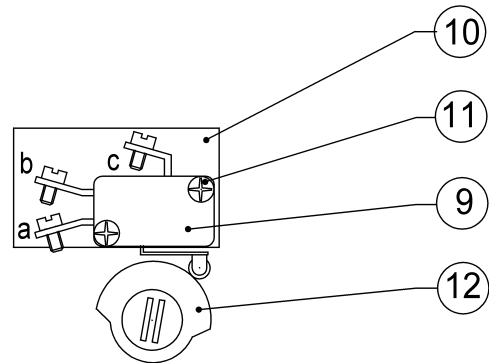


FIG. 1

N4118

MVBHT: High temperature spacer

Assemble the spacer following the mounting instructions DIM001 interposing the teflon washer between the valve neck and the actuator bracket.

244: MVB stem heater

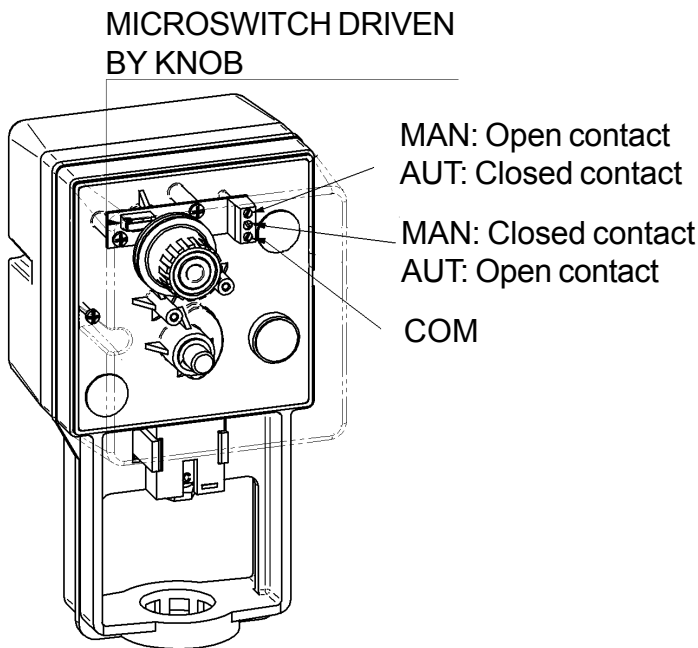
See mounting instructions DIM023.

MVBD: AUT/MAN microswitch 5(0,5)A, 250V~ (Only factory-mounted)

- Remove the cover on the knob side.
- Carry out the electrical terminal connections according to the scheme in the illustration below
- Re-close the cover

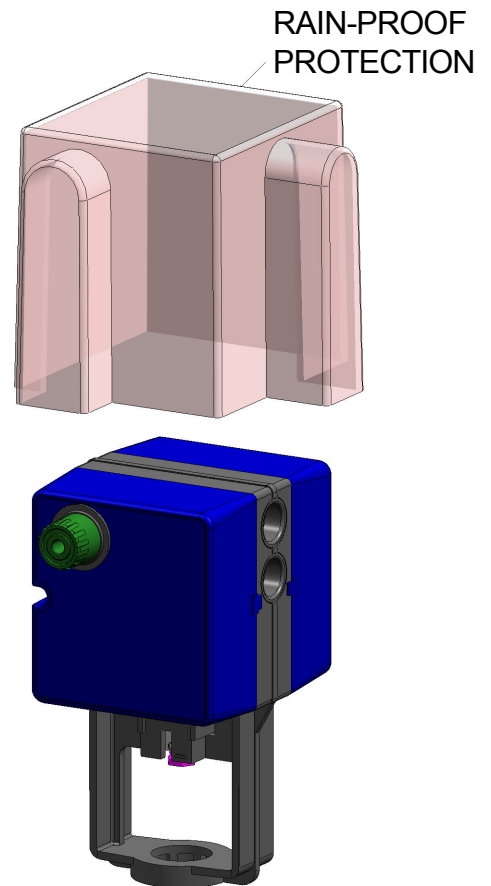
MVBC: Rain-proof protection

- Insert it on the actuator after carrying out the electrical connections and push till lock it (see fig. 3). **The actuator must be always mounted vertically.**



N4162

FIG. 2



N4167

FIG. 3