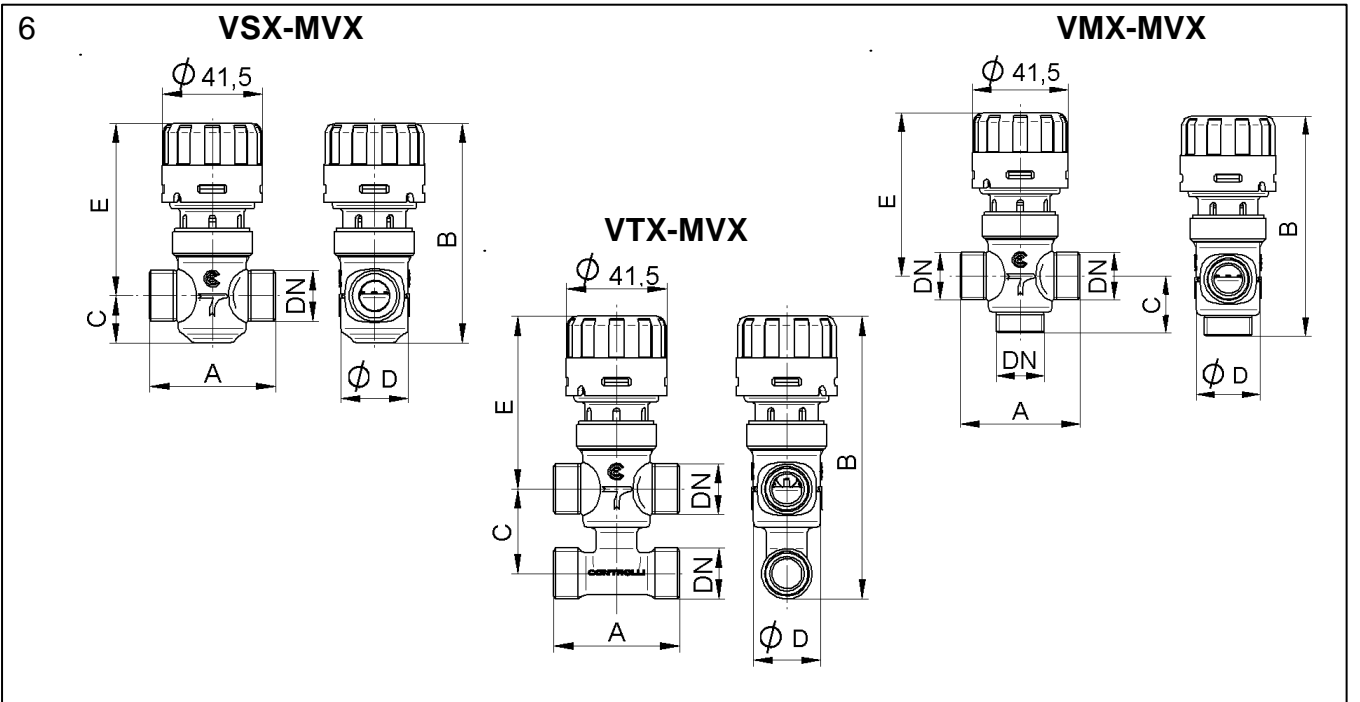
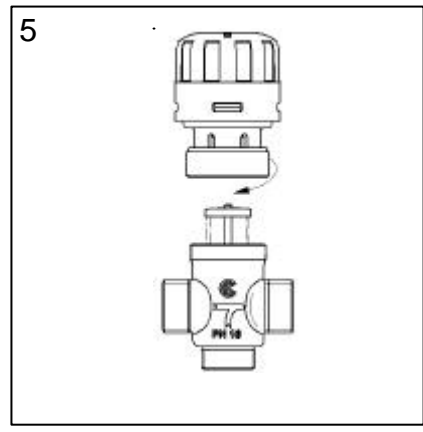
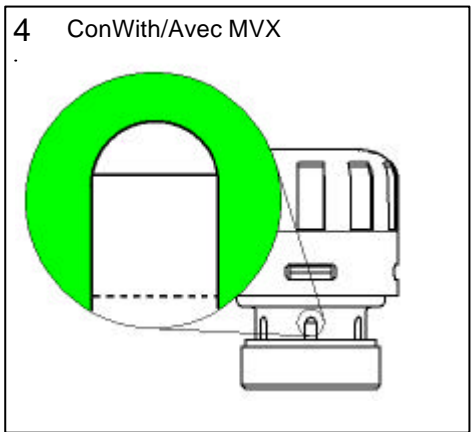
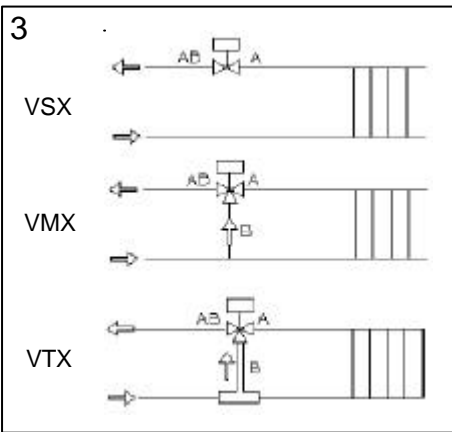
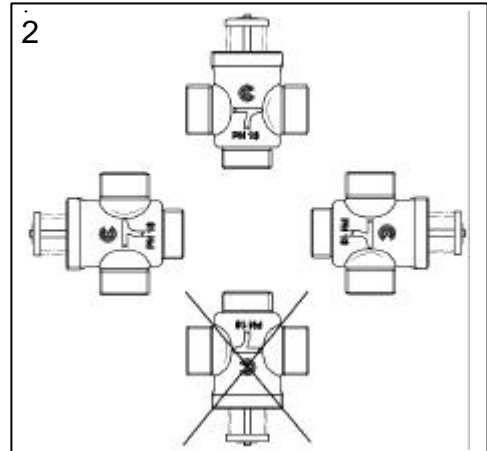
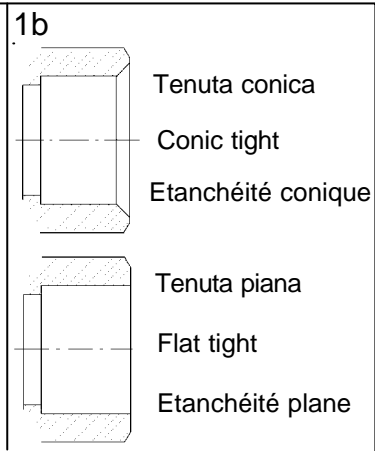
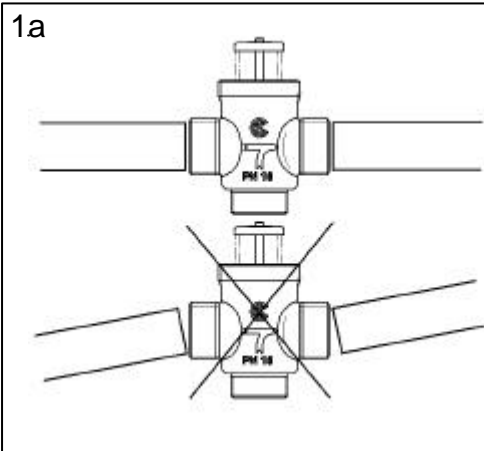


**ISTRUZIONI DI MONTAGGIO**  
**MOUNTING INSTRUCTIONS/INSTRUCTIONS DE MONTAGE**



**SERVOCOMANDO ON/OFF  
ON/OFF ACTUATOR  
SERVOMOTEUR ON/OFF**

**SERVOCOMANDO PROPORZIONALE  
PROPORTIONAL ACTUATOR  
SERVOMOTEUR PROPORTIONNEL**

Valvola+attuatore Valve+actuator Vanne+servomoteur	DN	A	B	C	D	E
VSX09P-VSX10P VSX11P-VSX12P VSX13P-VSX13 + MVX21/41	1/2"	52	95,5	20	28	76
VSX21-VSX21P + MVX21/41	3/4"	56	95,5	20		
VMX09P-VMX10P VMX11P-VMX12P VMX13P-VMX13 + MVX21/41	1/2"	52	101	25	28	76
VMX21-VMX21P + MVX21/41	3/4"	56	110	34		
VTX09P-VTX10P VTX11P VTX12P VTX13P-VTX13 + MVX21/41	1/2"	52	122	35	28	76
VTX09P4-VTX10P4 VTX11P4-VTX12P4 VTX13P4 + MVX21/41	1/2"	52	127	40		
VTX21-VTX21P + MVX21/41	3/4"	56	139	50		

Valvola+attuatore Valve+actuator Vanne+servomoteur	DN	A	B	C	D	E
VSX09P-VSX10P VSX11P-VSX12P VSX13P-VSX13 + MVX57	1/2"	52	112,5	19,5	28	93
VSX21-VSX21P + MVX57	3/4"	56	112,5	19,5		
VMX09P-VMX10P VMX11P-VMX12P VMX13P-VMX13 + MVX57	1/2"	52	118	25	28	93
VMX21-VMX21P + MVX57	3/4"	56	127	34		
VTX09P-VTX10P VTX11P VTX12P VTX13P-VTX13 + MVX57	1/2"	52	139	35	28	93
VTX09P4-VTX10P4 VTX11P4-VTX12P4 VTX13P4 + MVX57	1/2"	52	144	40		
VTX21-VTX21P + MVX57	3/4"	56	156	50		

Valvola+attuatore Valve+actuator Vanne+servomoteur	DN	A	B	C	D	E			
VSX26P + MVX22/42	3/4	78	113	20,5	50	92,5			
VSX24P +MVX22/42									
VMX26P + MVX22/42									
VMX24P +MVX22/42			128	35,5	50				
VTX26P + MVX22/42									
VTX24P +MVX22/42							150	44	50

Valvola+attuatore Valve+actuator Vanne+servomoteur	DN	A	B	C	D	E			
VSX26P + MVX52	3/4	78	130	20,5	50	109,5			
VSX24P +MVX52									
VMX26P + MVX52									
VMX24P +MVX52			145	35,5			50		
VTX26P + MVX52									
VTX24P +MVX52								167	44