

MODEL	DN [inches]	Kvs [m ³ /h]	STROKE [mm]
2FIA25R4	1"	3,5	20
2FIA25	1"	10	
2FIA32	1"1/4	16	
2FIA40	1"1/2	24	
2FIA50	2"	42	
2FIA65	2"1/2	63	30
2FIA80	3"	91	
2FIA100	4"	138	35



TECHNICAL DATA

Type	2-way globe valve
PN16 models	DN65, 100
PN40 models	DN25, 32, 40, 50, 80
Connections	Flanges UNI/DIN PN16 / PN40
Sealing type	Soft (Class VI)
Flow characteristic	Linear
Plug type	V-port
Temperature	from -30°C to +180 °C

DESCRIPTION

2FIA range consists in 2-way valve bodies to be assembled with electrical bidirectional actuator.
 2FIA valves are 2-way valves for industrial use; they offer high performances with many types of fluid within a wide range of temperatures.
 Valves are delivered after testing and calibration and ready for a long utilize, without maintenance.
 2FIA.. valves are used to control fluids in accordance to article 13 of 2014/68/UE (PED) directive, in heating and cooling installations and in industrial processes; they cannot be used as safety valves.

OPTIONS

- 2-way
- High temperature extension (finned bonnet)
- Low temperature extension (-60°C)
- Bellows seal (double wall PN16, triple wall PN40)
- ANSI 300
- ANSI 150 (only drilling)
- Sealing type: metallic (Class IV - V)

Controlli S.p.A.
 16010 Sant'Olcese (GE)
 Tel. 010 73 06 1
 Fax. 010 73 06 870/871
www.controlli.eu

ACTUATORS ASSEMBLING

CODE	DESCRIPTION
MVE	2FIA valves are supplied already mounted with the selected MVE. When ordering these valves and actuators please include in your order also the codes " MVEAV-10 " related to the valve/actuator assembling in our factory. <i>Order example: MVE510 + 2FIA40 + MVEAV-10</i>
MVH	2FIA valves are supplied already mounted with the selected MVH with AG81. When ordering these valves and actuators please include in your order also the codes " MVHAV " related to the valve/actuator assembling in our factory. <i>Order example: MVH46 + AG81 + 2FIA40 + MVHAV</i>

FLOW RATE COEFFICIENT

DN	CV	Kvs
25R4	4	3,5
25	12	10
32	18	16
40	28	24
50	48	42
65	72	63
80	105	91
100	160	138

MATERIALS

Valve body	Stainless steel AISI 316 ASTM CF8M
Trim (plug - seat)	316L
Stem	316L
Stem packing	PTFE
Plug and Seat sealing	PTFE
Valve/actuator connection	U-bolt connection

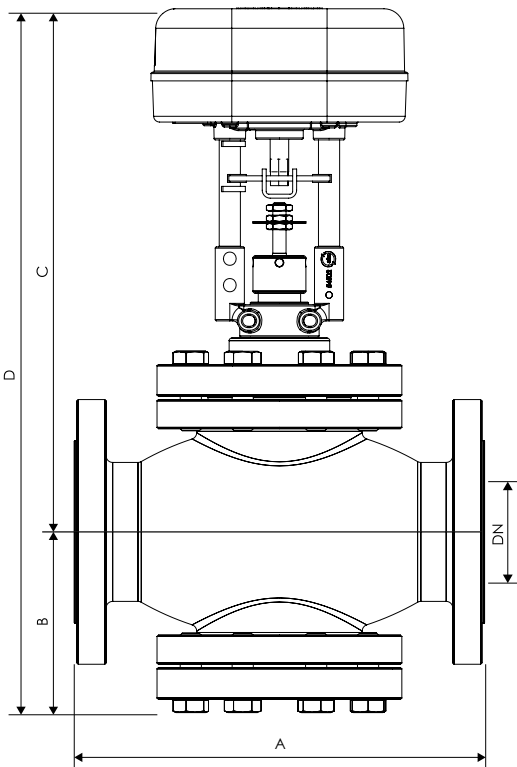
MAX DIFFERENTIAL PRESSURE [kPa]

CODE	DN	MVHEA/C 700N	MVH 1500N	MVHE3K 3000N	MVE.06 600N	MVE.10 1000N	MVE.15 1500N	MVE.22 2200N
2FIA25R4	25	3100	-	-	2700	-	-	-
2FIA25	25	1150	-	-	1000	-	-	-
2FIA32	32	670	-	-	570	-	-	-
2FIA40	40	470	1000	-	400	670	1000	-
2FIA50	50	270	580	1170	230	390	580	850
2FIA65	65	-	360	720	-	240	360	530
2FIA80	80	-	-	580	-	-	-	430
2FIA100	100	-	-	320	-	-	-	240

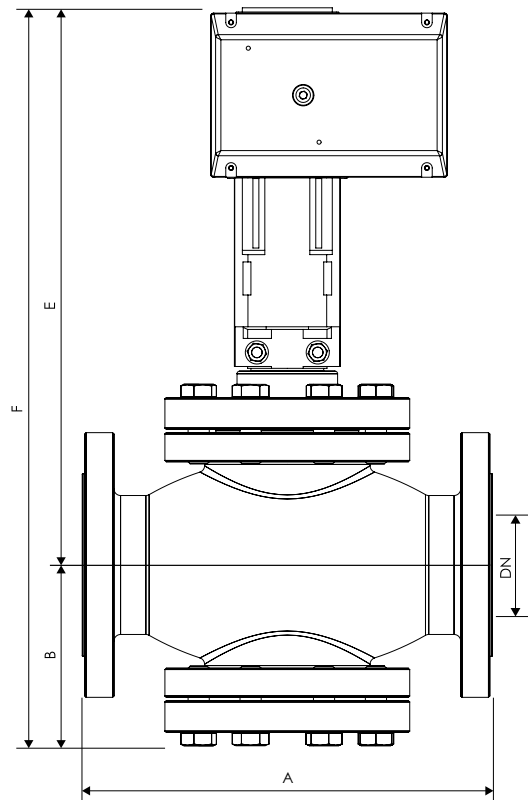
DIMENSION [mm]

CODE	DN	A	B	C	D	E	F	VALVE STROKE [mm]	NUMBER OF HOLES ON EACH FLANGE	INDICATIVE WEIGHT [kg]
2FIA25R4	25	160	96	354	450	374	470	20	4	22
2FIA25	25	160	96	354	450	374	470	20	4	22
2FIA32	32	180	96	354	450	374	470	20	4	28
2FIA40	40	200	96	354	450	374	470	20	4	30
2FIA50	50	230	100	360	460	380	480	20	4	38
2FIA65	65	290	137	395	532	415	552	30	4	54
2FIA80	80	310	137	395	532	415	552	30	8	66
2FIA100	100	350	159	417	576	437	596	35	8	90

WITH MVE



WITH MVH + AG81



The performances stated in this sheet can be modified without any prior notice